

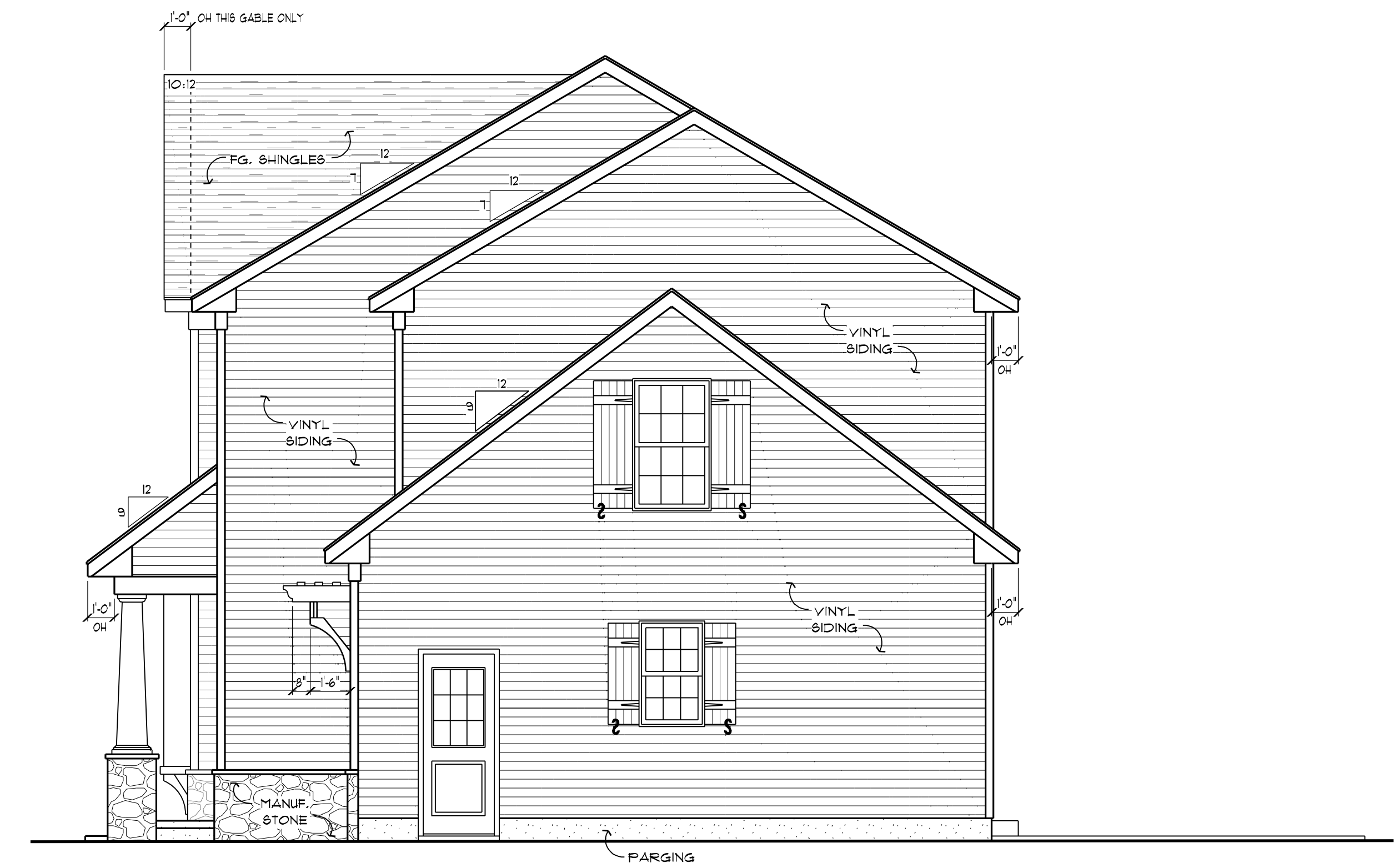


**FRONT ELEVATION**

SCALE: 1/4" = 1'-0"

1  
A-4

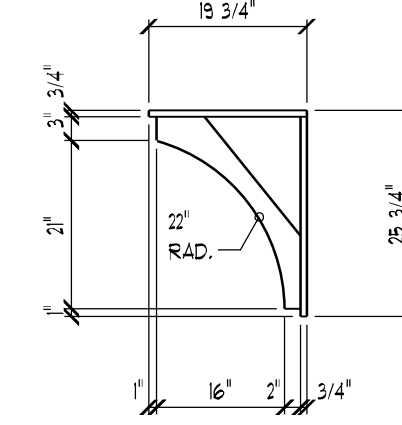
WEEP SCREENS INSTALLED AS PER R103.6.2.1 & R103.12  
AT ALL STONE/SYSCO GRADE INTERSECTIONS  
(NO LESS THAN 4" ABOVE ADJACENT GRADE & NO  
LESS THAN 2" ABOVE CONC. OR PAVEMENT) (TYP.)



**RIGHT SIDE ELEVATION**

SCALE: 1/4" = 1'-0"

2  
A-4



BRACKET DETAIL FOR  
GARAGE PERGOLA &  
BUMP-OUT WINDOW ROOF



**REAR ELEVATION**

SCALE: 1/4" = 1'-0"

3  
A-4



**LEFT SIDE ELEVATION**

SCALE: 1/4" = 1'-0"

4  
A-4



THESE PLANS ARE THE PRIVATE PROPERTY OF DWIGHT MILLER-RESIDENTIAL DESIGN, LTD. ANY USE OR REPRODUCTION OF THESE PLANS, IN PART OR WHOLE WITHOUT THE WRITTEN CONSENT OF DWIGHT MILLER, IS STRICTLY FORBIDDEN. THESE PLANS HAVE BEEN DRAWN TO CURRENT BUILDING CODES AND SHALL BE SUBJECT TO THE LOCAL BUILDING DEPARTMENT TO VERIFY ALL CONDITIONS, DIMENSIONS, AND BUILD THESE PLANS ACCORDING TO THE LOCAL BUILDING CODES.

**DWIGHT MILLER, CPBD**  
• RESIDENTIAL DESIGN, LTD. •  
2685 GRAYSTONE ROAD  
E. PETERSBURG, PA 17250  
(717) 560-1818  
dwightmillerdesign.com

BUILDER OF FINE CUSTOM HOMES SINCE 1951  
**Norman L. Graham, Inc.**  
26 West Main Street - Leola, PA 17540  
PHONE: 717.655.7335  
FAX: 717.655.7398  
CELL: 717.203.7760  
GERALD E. GRAHAM  
OWNER/DESIGNER  
gerald@normanlgraham.com  
www.normanlgraham.com

PROJECT:  
**LOT #11**  
**TIMBERLINE**  
**ESTATES**

DATE: 01.23.15

REVISIONS:  
04.07.15

SHEET:  
**A-4**